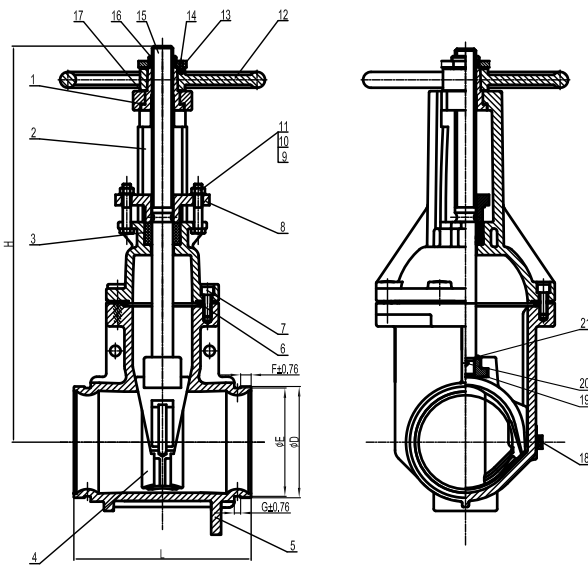


AWWA C515 Grooved Resilient OS&Y Gate Valve 300PSI (JKDZ81-300A)



MATERIAL SPECIFICATION

PART NO.	Description	Material Specification	Options
1	Gasket	ASTM B148 C95400	Stainless Steel 304
2	Bonnet	Ductile Iron ASTM A536	
3	Packing	Graphite	
4	Disc	EPDM ASTM D2000 +DI ASTM A536	
5	Body	Ductile Iron ASTM A536	
6	Sealing Ring	EPDM ASTM D2000	
7	Bolt	Galvanized Steel	Stainless Steel 304
8	Gland	Ductile Iron ASTM A536	
9	Nut	Stainless Steel 304	Galvanized Steel
10	Flat Washer	Stainless Steel 304	Galvanized Steel
11	Bolt	Stainless Steel 304	Galvanized Steel
12	Handwheel	Ductile Iron ASTM A536	
13	Lock Nut	ASTM B148 C95400	
14	Locating Screw	Stainless Steel 304	Galvanized Steel
15	Stem	Stainless Steel 316	Stainless Steel 304/431
16	Stem Nut	ASTM B148 C95400	
17	Gasket	ASTM B148 C95400	Galvanized Steel/Stainless Steel 304
18	Plug	ASTM B148 C95400	
19	Lifting Nut	ASTM B148 C95400	CF8/CF8M
20	Pin	Stainless Steel 304	
21	Sealing Ring	EPDM ASTM D2000	

Note:For special material request other than standard specification,please indicate clearly on the inquiry or order list.

Item No.	DN	Dimensions(Inch)								
		L	F	D		E		G	H	
JKDZ81GRG25	2.5"	7.48	0.63	2.87	3.00	2.72	2.85	0.31	14.57	
JKDZ81GRG03	3"	7.99	0.63	3.50		3.34		0.31	16.54	
JKDZ81GRG04	4"	9.02	0.63	4.50		4.33		0.37	17.60	
JKDZ81GRG05	5"	10.00	0.63	5.50	5.56	5.33	5.39	0.37	21.54	
JKDZ81GRG06	6"	10.51	0.63	6.50	6.63	6.33	6.45	0.37	23.90	
JKDZ81GRG08	8"	11.50	0.75	8.52	8.63	8.33	8.44	0.44	29.69	
JKDZ81GRG10	10"	12.99	0.75	10.75		10.56		0.50	35.04	
JKDZ81GRG12	12"	14.02	0.75	12.75		12.53		0.50	40.59	

- Connection Ends: Groove to AWWA C606
- Working Pressure: 300PSI
- Temperature Range: 32 -176
- Coating:Fusion Bonded Epoxy Coating in accordance with ANSI/AWWA C550

